

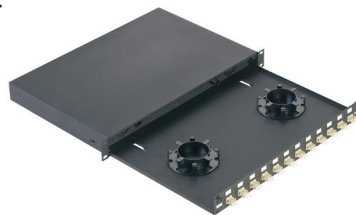
# NetKey® Pre-Loaded Fiber Drawers

# PANDUIT®

DATA SHEET

## specifications

Pre-loaded fiber drawers provide a pre-configured, ready-to-install system for managing fiber optic terminations. The pre-loaded enclosure is a two-piece design with a slide-out drawer for full access to all fiber terminations and easy installation. The fiber drawer has integral mounting brackets suitable for installation in any 19" wide EIA-310/IEC 60297 compatible rack or cabinet.



## technical information

<b>Dimensions:</b>	1.73"H x 17.5"W x 12.13"D (43.9 x 444.5 x 308.2mm)
<b>Mounting option:</b>	Integral brackets mount to 19" wide EIA-310/IEC 60297 compatible rack or cabinet
<b>Accessories:</b>	Mounting hardware and fiber routing accessory kit included; contains two FMS1 fiber management spools, two 30mm size rubber grommets, one PG11 cable gland, Panduit® Pan-Ty® Cable Ties and #12-24 and M6 x 1 mounting screws

## key features and benefits

<b>Pre-loaded with fiber optic adapters</b>	Factory configured with duplex SC or LC adapters for fast and easy cabling and installation
<b>Slide out drawer</b>	Slides forward a full 300mm for easy service access to all fiber terminations, connections and splices
<b>Multiple cable entry methods</b>	Trunk and interconnect cable entry via PG11 glands, 5mm blown fiber glands, 20mm knockouts or 30mm rubber grommets
<b>Two-piece, all metal body construction</b>	Simple and economical installation with no loose components to misplace; improved protection over plastic fiber drawers
<b>Dedicated labeling areas</b>	Silk-screened white labeling areas for individual fiber channel identification plus overall enclosure labeling

## applications

- Provides a ready-to-install system for managing fiber optic terminations, connections and patching in a variety of applications
- Can serve as a transition from backbone cabling to distribution switching in telecommunication rooms, an interconnect to active equipment switches in a fiber to the zone application and can be used as a transition enclosure for splicing to service provider trunks then patching to premise intra-building cabling
- Pre-loaded with SC or LC style adapters suitable for use with 50/125µm (OM3/OM4) multimode, 62.5/125µm (OM1), or OS1/OS2 singlemode fiber
- Can terminate and manage up to 48 fibers in 1 RU depending on configurations and adapter type

### NetKey® Pre-Loaded Fiber Drawer for OM1 62.5/125µm Multimode Fiber

<b>6 duplex SC adapters:</b>	NKFD1W6EIDSCZ
<b>12 duplex SC adapters:</b>	NKFD1W12EIDSCZ
<b>12 duplex LC adapters:</b>	NKFD1W12EIDLZ
<b>24 duplex LC adapters:</b>	NKFD1W24EIDLZ

### NetKey® Pre-Loaded Fiber Drawer for OM3/OM4 50/125µm Multimode Fiber

<b>6 duplex SC adapters:</b>	NKFD1W6AQDSCZ
<b>12 duplex SC adapters:</b>	NKFD1W12AQDSCZ
<b>12 duplex LC adapters:</b>	NKFD1W12AQDLZ
<b>24 duplex LC adapters:</b>	NKFD1W24AQDLZ

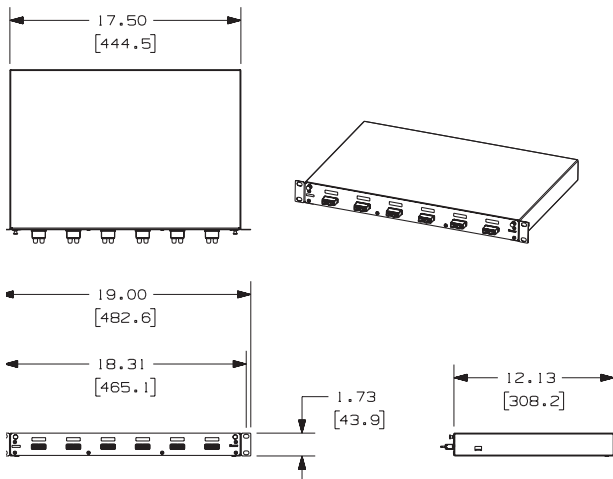
### NetKey® Pre-Loaded Fiber Drawer for OS1/OS2 9/125µm Singlemode Fiber

<b>6 duplex SC adapters:</b>	NKFD1W6BUDSCZ
<b>12 duplex SC adapters:</b>	NKFD1W12BUDSCZ
<b>12 duplex LC adapters:</b>	NKFD1W12BUDLZ
<b>24 duplex LC adapters:</b>	NKFD1W24BUDLZ

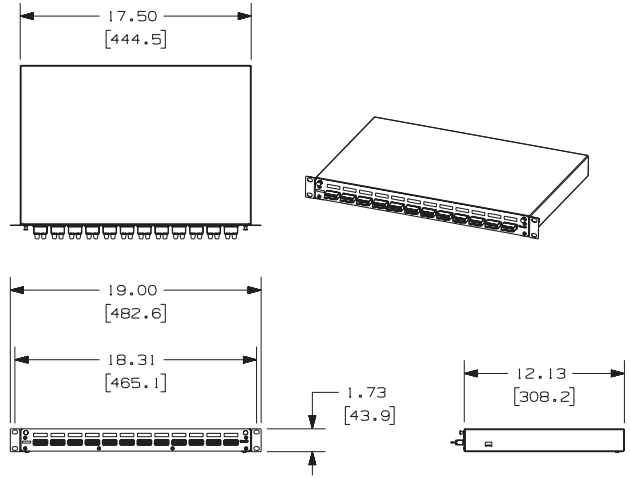
### Splicing Accessories

<b>Fiber splice module, 24 fusion splices:</b>	FOSMF
<b>Fiber splice module, 12 mechanical splices:</b>	FOSMM
<b>Fiber splice chip, 24 fusion splices:</b>	FSC24

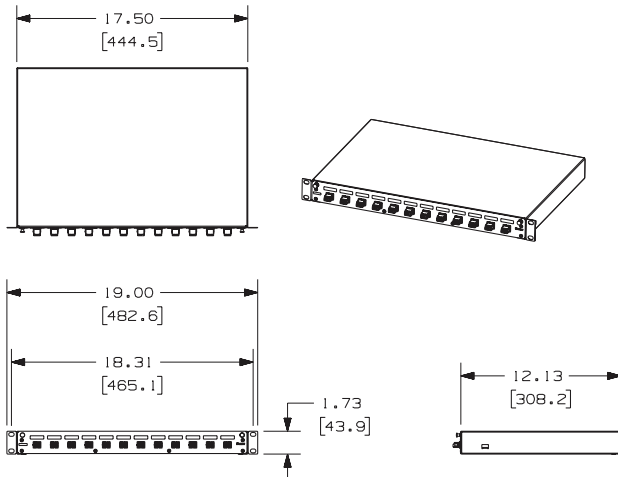
# NetKey® Pre-Loaded Fiber Drawers



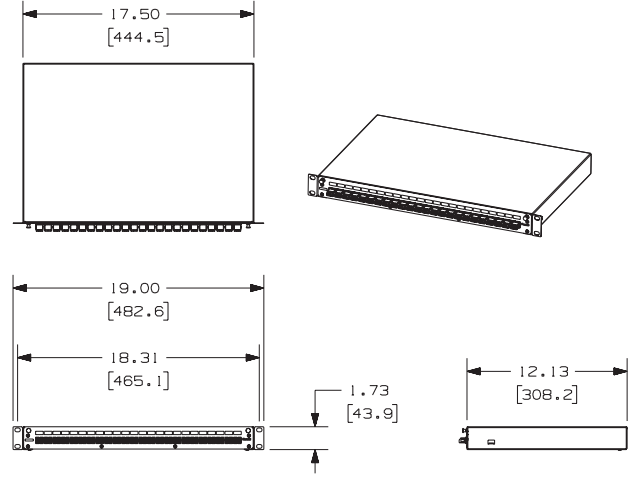
**NKFD1W6\*\*DSCZ**



**NKFD1W12\*\*DSCZ**



**NKFD1W12\*\*DLCZ**



**NKFD1W24\*\*DLCZ**

**\*\*Substitute for color:**

**For OM1 add EI (Electric Ivory)**

**For OS1/OS2 add BU (Blue)**

**For OM3/OM4 add AQ (Aqua)**

Dimensions are in inches. [Dimensions in brackets are metric].

## WORLDWIDE SUBSIDIARIES AND SALES OFFICES

PANDUIT US/CANADA  
Phone: 800.777.3300

PANDUIT EUROPE LTD.  
London, UK  
Phone: 44.20.8601.7200

PANDUIT SINGAPORE PTE. LTD.  
Republic of Singapore  
Phone: 65.6305.7575

PANDUIT JAPAN  
Tokyo, Japan  
Phone: 81.3.6863.6000

PANDUIT LATIN AMERICA  
Guadalajara, Mexico  
Phone: 52.33.3777.6000

PANDUIT AUSTRALIA PTY. LTD.  
Victoria, Australia  
Phone: 61.3.9794.9020

For a copy of Panduit product warranties, log on to [www.panduit.com/warranty](http://www.panduit.com/warranty)



For more information  
**Visit us at [www.panduit.com](http://www.panduit.com)**  
Contact Customer Service by email: [cs@panduit.com](mailto:cs@panduit.com)  
or by phone: 800.777.3300

© 2021 Panduit Corp.  
ALL RIGHTS RESERVED.  
NKDS19--WW-ENG  
5/2021